

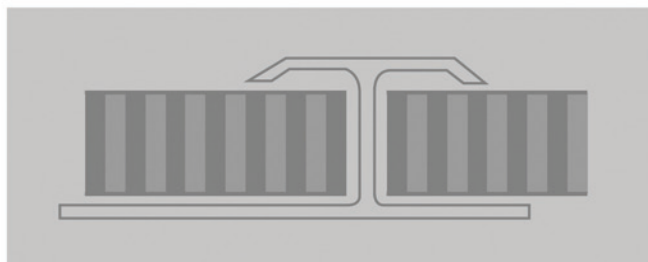
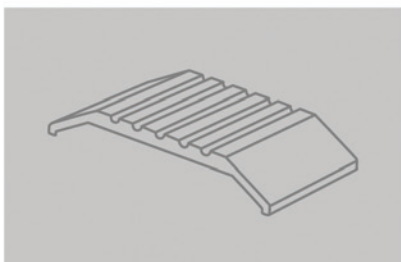
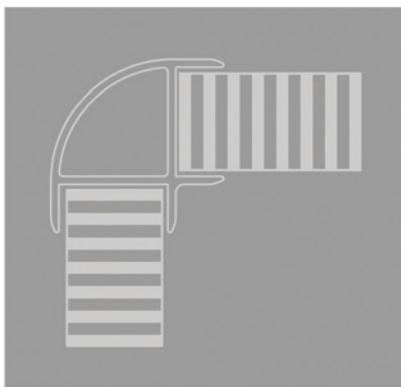
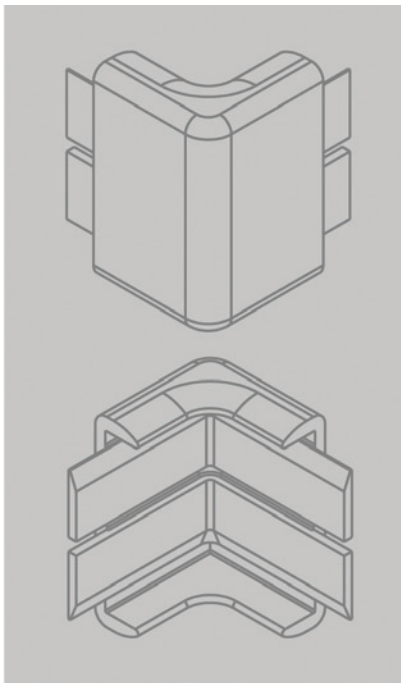


VENTURELITE®

PROFILES & ASSEMBLY ACCESSORIES BOOKLET

PROFILES & ASSEMBLY ACCESSORIES

Smart & Simple





VENTURELITE®

PROFILES & ASSEMBLY ACCESSORIES

The VENTURELITE® Profiles & Assembly Accessories are an integral component of the AYRES Lightweight Panel Systems for TRANSPORT & INDUSTRY applications. It provides a labour efficient and aesthetically enhancing assembly method and completes the AYRES Lightweight Panel Systems approach. It consists of several profiles and assembly accessories to suit 6, 10, 20 and 30mm panels.

FEATURES

- Aluminium alloy 6063 T5
- Suits 6mm, 10mm, 20mm and 30mm
- Standard profile length is 4,900mm. Half length of 2,440mm are also available
- Clear anodized finish, 10um thickness

FABRICATION

- VENTURELITE® honeycomb panels are assembled with profiles using polyurethane adhesive e.g. Sikaflex 291. For ACP81247 and ACP80356 the AYRLITE aluminium honeycomb panel edges are slotted to accept the profile tongue
- An VENTURELITE® Assembly & Fabrication Techniques DVD is available on request

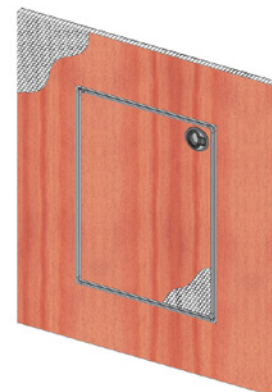
SAFETY

As with cutting operations on most materials, avoid inhalation and eye contact with machining dust. Wear protective equipment such as hearing protection and safety glasses during any cutting operations. Use machine guards. Wear gloves to avoid cuts. Wash hands before eating, drinking or smoking and after finishing work.

Profiles & Assembly Accessories Applications



Door System



Access Panel



Furniture

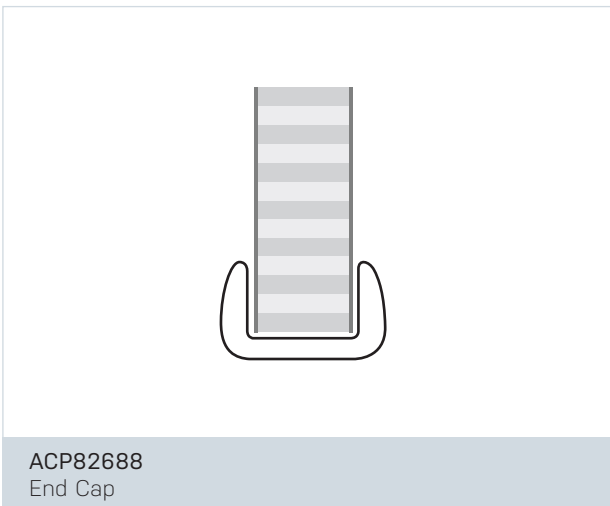
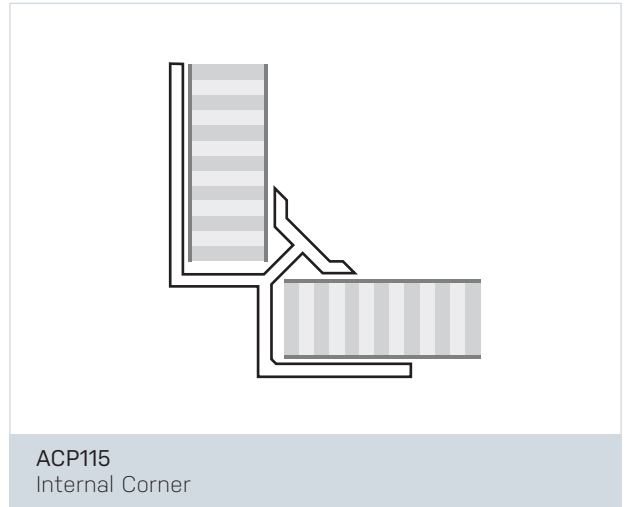
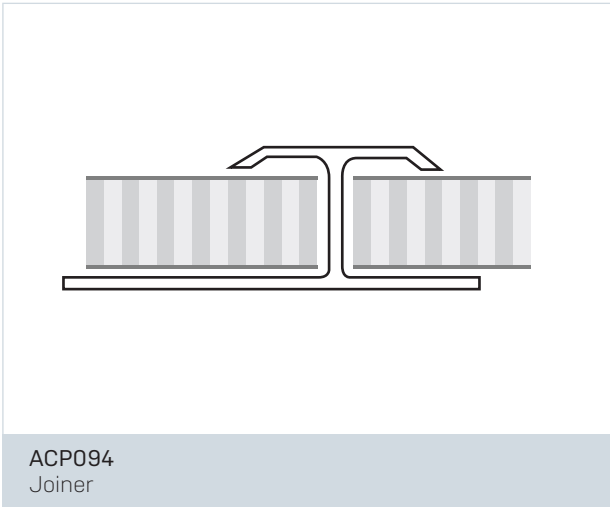




VENTURELITE®

PROFILE SUITE

6mm Profiles

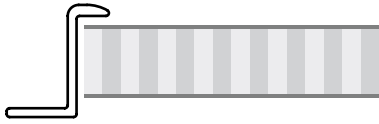




VENTURELITE®

PROFILE SUITE

10mm Profiles



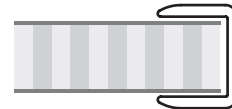
ACP8587
Cabinet Door Jamb



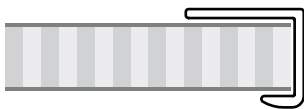
ACP81567
Cabinet Door Jamb with Retainer



ACP131
End Cap



ACP83110
Channel



ACP80991
End Stop

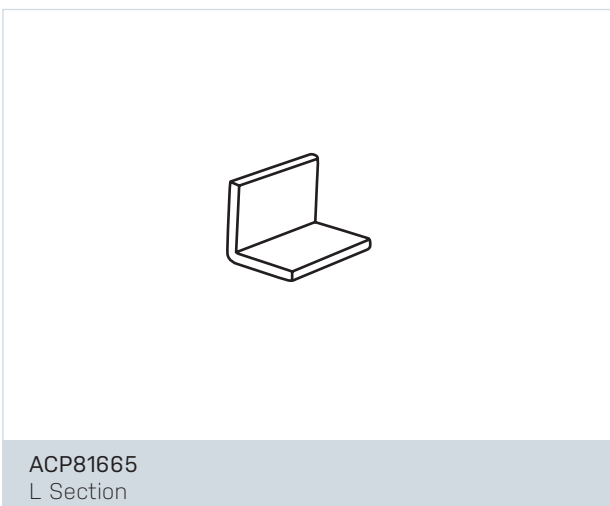
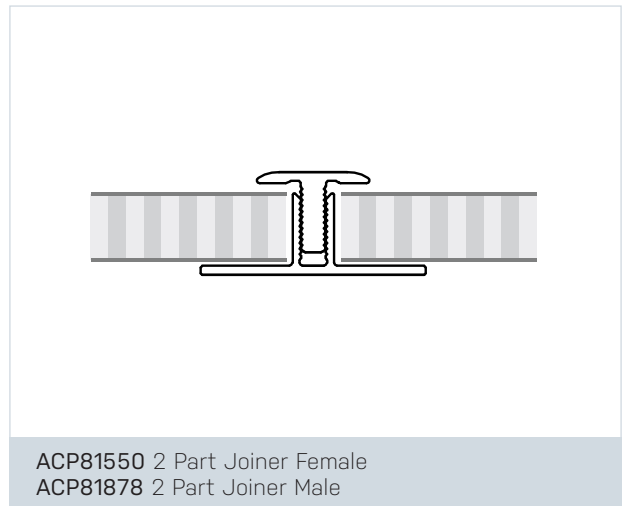
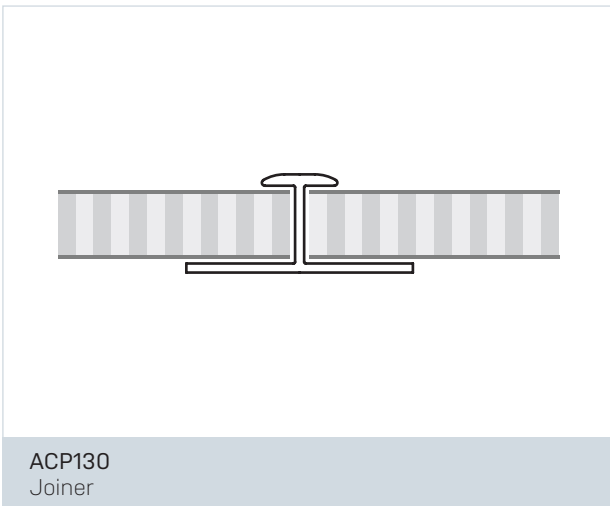
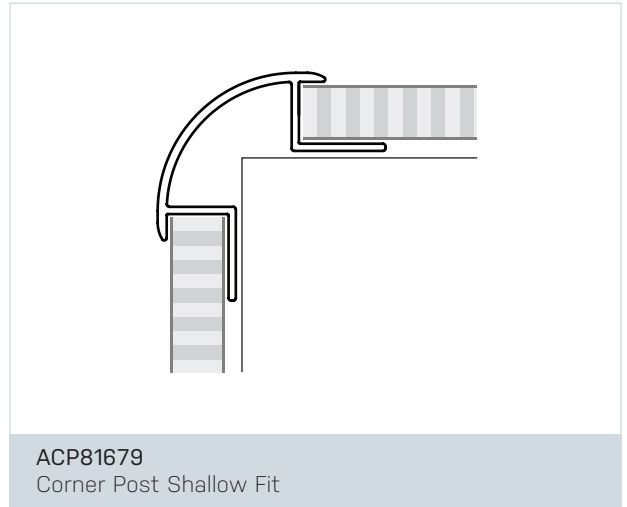
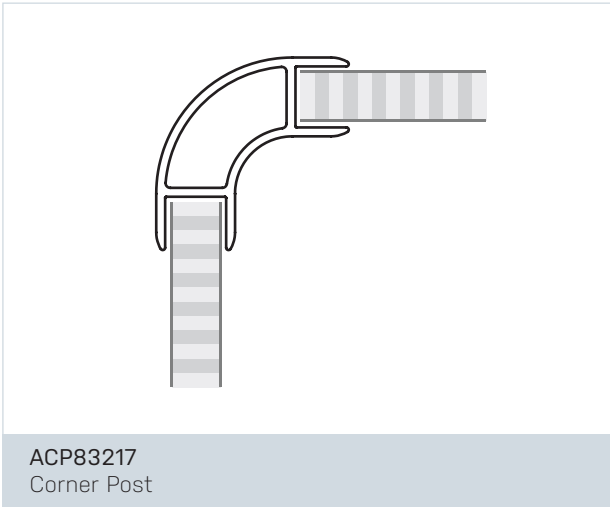




VENTURELITE®

PROFILE SUITE

10mm Profiles

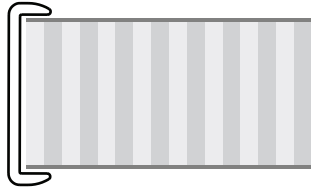




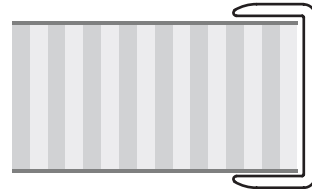
VENTURELITE®

PROFILE SUITE

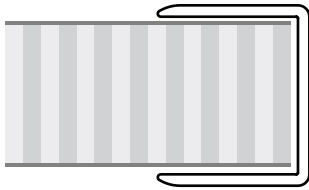
20mm Profiles



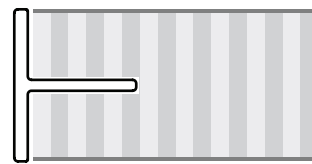
ACP80360
End Cap



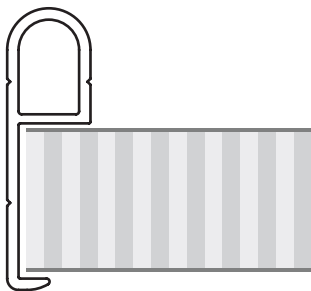
ACP83114
Channel Shallow



ACP81248
Channel Deep



ACP81247
T Section



ACP8667
Shelf Edge

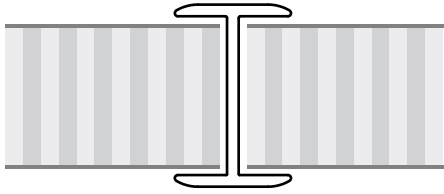




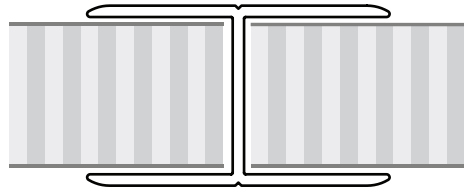
VENTURELITE®

PROFILE SUITE

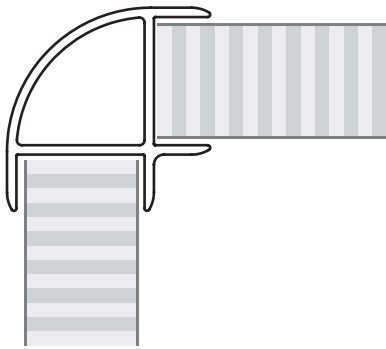
20mm Profiles



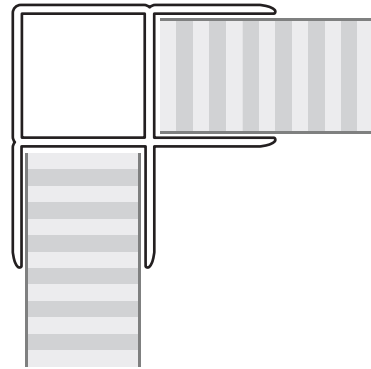
ACP82896
H Joinder Shallow



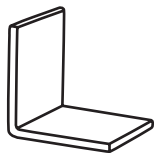
ACP81520
H Deep Joinder



ACP83108
Corner Post



ACP81636
Corner Joinder



ACP81587
L Section

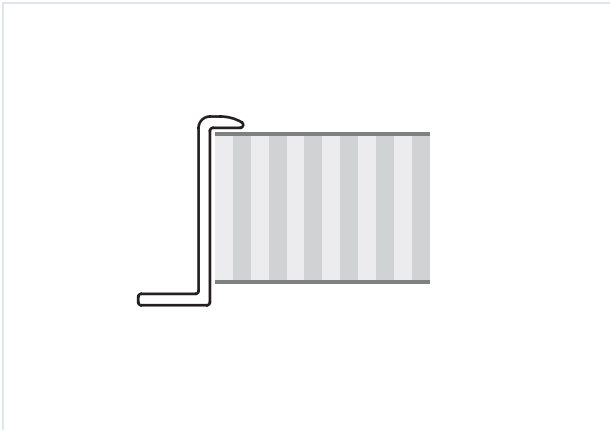




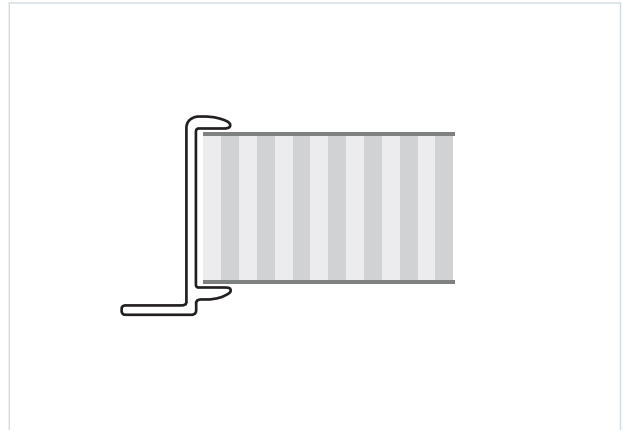
VENTURELITE®

PROFILE SUITE

20mm Profiles



ACP2854
Cabinet Door Jamb



ACP81566
Cabinet Door Jamb with Retainer

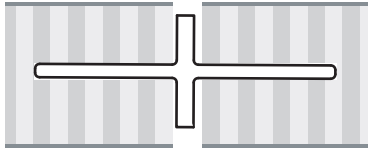




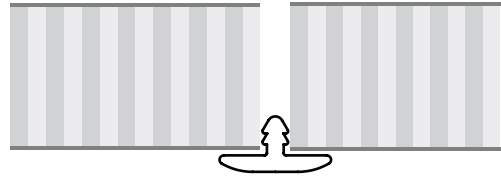
VENTURELITE®

PROFILE SUITE

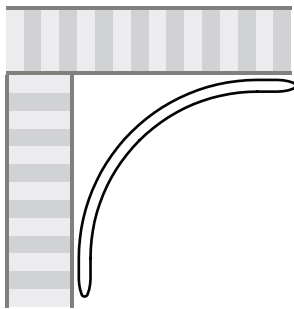
Universal Profiles



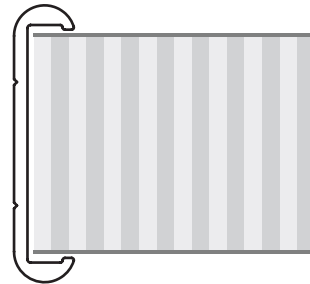
ACP80356
Internal Joiner (Suitable for Panels 10mm and over)



ACP81631
Bead Strip Serrated Tongue



ACP80361
Corner Trim



ACP83107
Table Edge 30mm Flush Surface



ACP81662
Sealing Strip Retainer





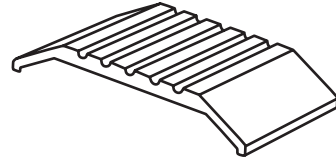
VENTURELITE®

PROFILE SUITE

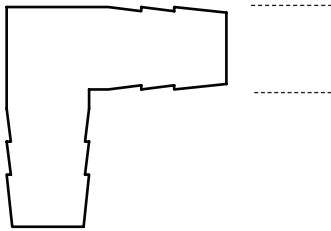
20mm Door System



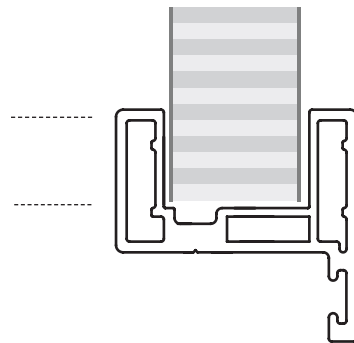
ACP80197
Door Stile



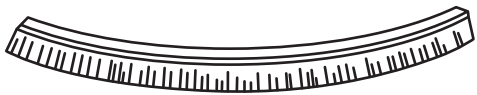
ACP81664
Threshold



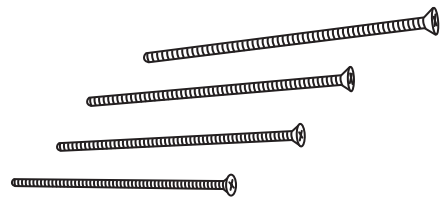
ACP25824
Door Jamb Joiner



ACP83220
Door Jamb



Felt Brush Pile



Countersunk Posi Drive S/S Screws

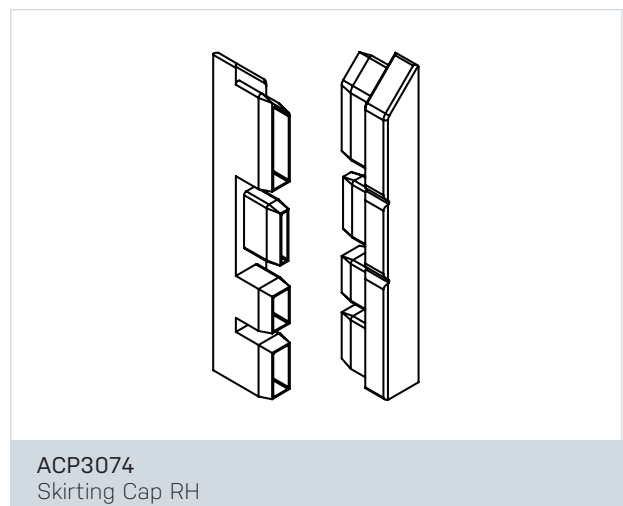
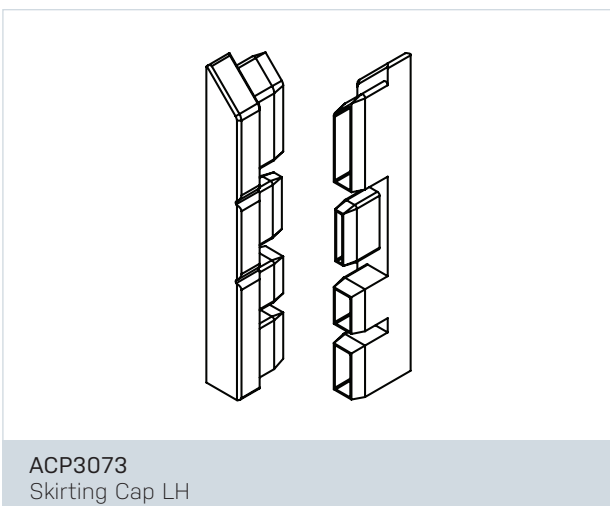
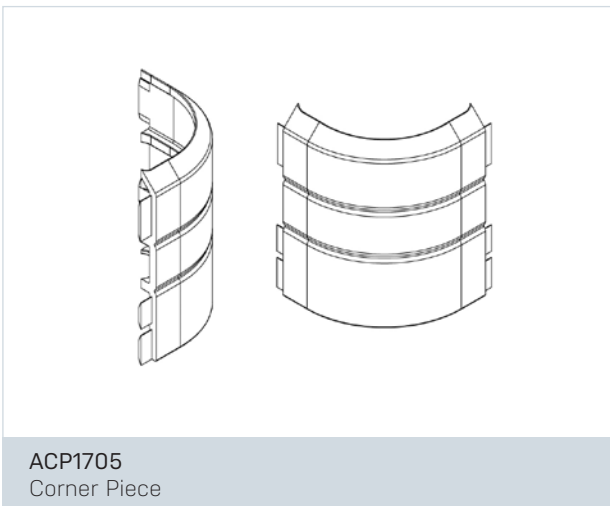
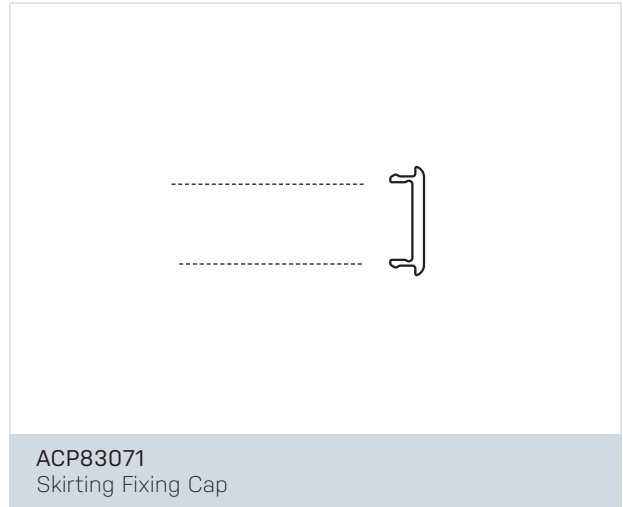
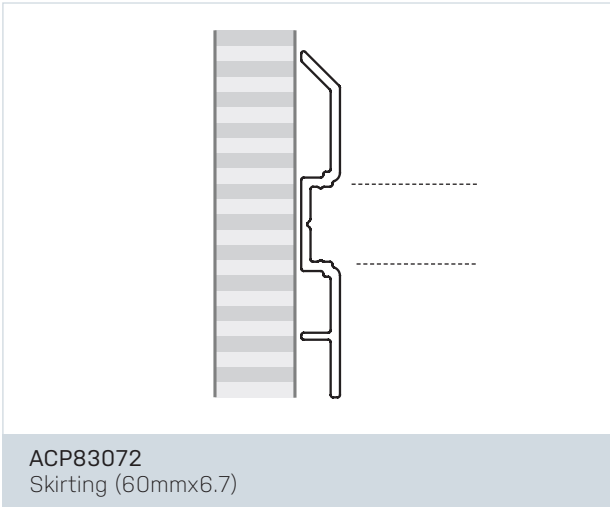




VENTURELITE®

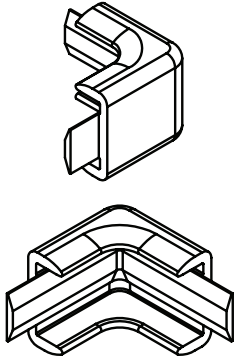
PROFILE SUITE

Skirting System

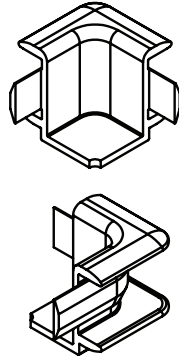




10mm Assembly Accessories

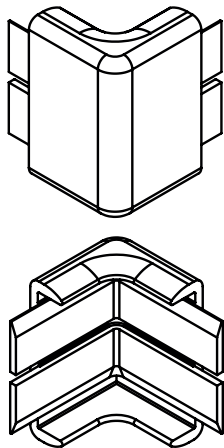


ACP1432
External Corner

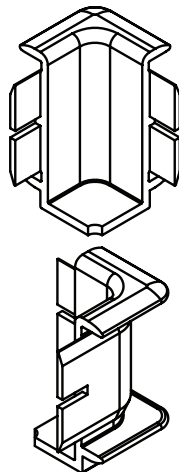


ACP1434
Internal Corner

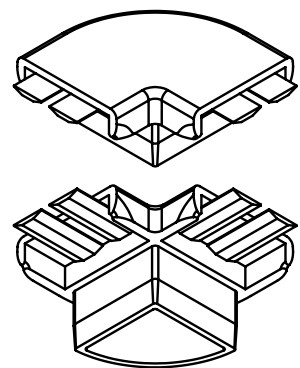
20mm Assembly Accessories



ACP1532A
External Corner



ACP1534
Internal Corner

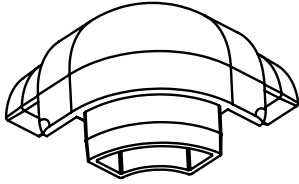


ACP1602
Corner Cap





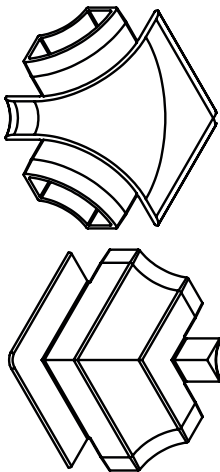
20mm Assembly Accessories



ACP1603
3 Way Joiner



AYRLITE® 3 Way Joiner



ACP1604
Internal Joiner



AYRLITE® Internal Joiner





VENTURELITE®

PROFILES & ASSEMBLY ACCESSORIES

DESCRIPTION	WEIGHT	DESCRIPTION	WEIGHT
6mm Profiles		20mm Door System	
ACP094 Joiner	0.13 kg/m	ACP25824 Door Jamb Joiner	30gm/Set of 4
ACP115 Joiner	0.18 kg/m	ACP80197 Door Stile	1.16 kg/m
ACP82688 End Cap	0.06 kg/m	ACP81664 Threshold	0.76 kg/m
		ACP83220 Door Jamb	0.64 kg/m
		Felt Brush Pile	
		Stainless Steel Screws	
10mm Profiles		Skirting System	
ACP130 Joiner	0.17 kg/m	ACP1705 Corner Piece	11.4 gm
ACP131 End Cap	0.07 kg/m	ACP3073 Skirting Cap LH	3 gm
ACP80991 End Stop	0.10 kg/m	ACP3074 Skirting Cap RH	3 gm
ACP81550 2 Part Joiner Female	0.16 kg/m	ACP83071 Skirting Fixing Cap	0.07 kg/m
ACP81567 Cabinet Door Jamb with Retainer	0.11 kg/m	ACP83072 Skirting (60mm x 6.7mm)	0.33 kg/m
ACP81665 L Section	0.09 kg/m		
ACP81679 Corner Post Shallow Fit	0.35 kg/m		
ACP81878 2 Part Joiner Male	0.14 kg/m		
ACP83110 Channel	0.11 kg/m		
ACP83217 Corner Post	0.44 kg/m		
ACP8587 Cabinet Door Jamb	0.09 kg/m		
		10mm Assembly Accessories	
		ACP1432 External Corner	1.0 gm
		ACP1434 Internal Corner with Jamb	1.0 gm
20mm Profiles		20mm Assembly Accessories	
ACP2854 Cabinet Door Jamb	0.16 kg/m	ACP1532A External Corner	2.0 gm
ACP80360 End Cap	0.12 kg/m	ACP1534 Internal Corner with Jamb	2.0 gm
ACP81247 T Section	0.12 kg/m	ACP1602 Corner Cap	4.8 gm
ACP81248 Channel Deep	0.24 kg/m	ACP1603 3 Way Joiner	16.3 gm
ACP81520 H Joiner Deep	0.40 kg/m	ACP1604 Internal Joiner	10.6 gm
ACP81566 Cabinet Door Jamb with Retainer	0.17 kg/m		
ACP81587 L Section	0.17 kg/m		
ACP81636 Corner Joiner	0.67 kg/m		
ACP82896 H Joiner Shallow	0.20 kg/m		
ACP83108 Corner Post	0.46 kg/m		
ACP83114 Channel Shallow	0.16 kg/m		
ACP8667 Shelf Edge	0.27 kg/m		
30mm Profiles			
ACP83107 Table Edge Flush Surface	0.24 kg/m		
Universal Profiles			
ACP80356 Internal Joiner	0.12 kg/m		
ACP80361 Corner Trim	0.18 kg/m		
ACP81631 Bead Strip Serrated Tongue	0.05 kg/m		
ACP81662 Sealing Strip Retainer	0.06 kg/m		





VENTURELITE®

PROFILES & ASSEMBLY ACCESSORIES



Ayres Composite Panels Pty Ltd

25-27 Clune Street Bayswater

WA 6053, Australia

T: +61 (0) 8 9279 3426

enquiries@ayrescom.com

www.ayrescom.com

AYRES | *Lighten Up!*

Issue 1

* Registered Trade Mark of Ayres Composite Panels

IMPORTANT All information is given in good faith but without acceptance of liability. Ayres Composite Panels reserves the right to alter specification without prior notice. It remains the responsibility of the customer to ensure the suitability of any product for the purposes intended. All sales are made subject to Ayres Composite Panels [standard terms and conditions of sale](#). Please direct all [enquiries here](#).